

T 60-1 Fire Door Quadro

Highly Fire-Retardant, left-hand or right-hand hinging

DIN EN 1634



Standard equipment

Door leaf	65 mm thick Left-hand or right-hand hinging Sheet thickness 0.9 mm
Rebate	Thin rebate to 4 sides
Frame	Corner frame 2.0 mm thick Check stop on all 4 sides Easy-to-remove bottom stop rail (screwed connection) (see illustration) Threshold section can be dismantled (screwed connection) (see illustration) Chloroprene seal to 4 sides Fastened by weld-on anchor brackets
Surface	Door leaf and frame galvanized, primed and powder-coated in off-white (based on RAL 9002).
Lock	Mortise lock with lever/knob DIN 18250, prepared for profile cylinder Deadlock-insert with key
Lever handle	Fire-proof round handle/lever handle set, black (lever handle pivoted on bearing) with short escutcheons, can be used for profile cylinder and deadlock key
Height adjustable hinges	1 No standard hinge set, according to DIN 18272 1 No FE-spring loaded hinge set, according to DIN 18272
Closing devices	Spring hinge Overhead door closer TS 4000 on doors larger than 1000 x 2100 clear passage / 1072 x 2136 ordering size
Security bolt	1 steel security bolt

Equipment



On the T 60-1 the intumescent fire seal (expanding) is concealed in a special purpose designed slot in the frame. This solution gives a good aesthetic appearance.



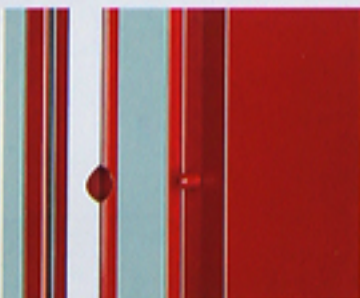
With a choice of short escutcheons or roses, with lever handles on both sides, as lever/knob or anti-panic handle sets in aluminium or stainless steel.

For fitting into

- Masonry or lightweight concrete specific density at least 800 kg/m³
Wall thickness at least 100 mm
- Solid concrete and concrete blocks specific density at least 1200 kg/m³
Wall thickness at least 100 mm

Thermal insulation: U = 1.8 W/m²K

Acoustic rated: standard value 42 dB SK III



For added security the doors are now equipped with 1 solid steel security bolt.



For frequently used doors we recommend choosing the overhead door closer to DIN 18283 in place of the standard spring hinge. It can be retrofitted at any time.



Thin rebate

T 60-1 Fire Door Quadro

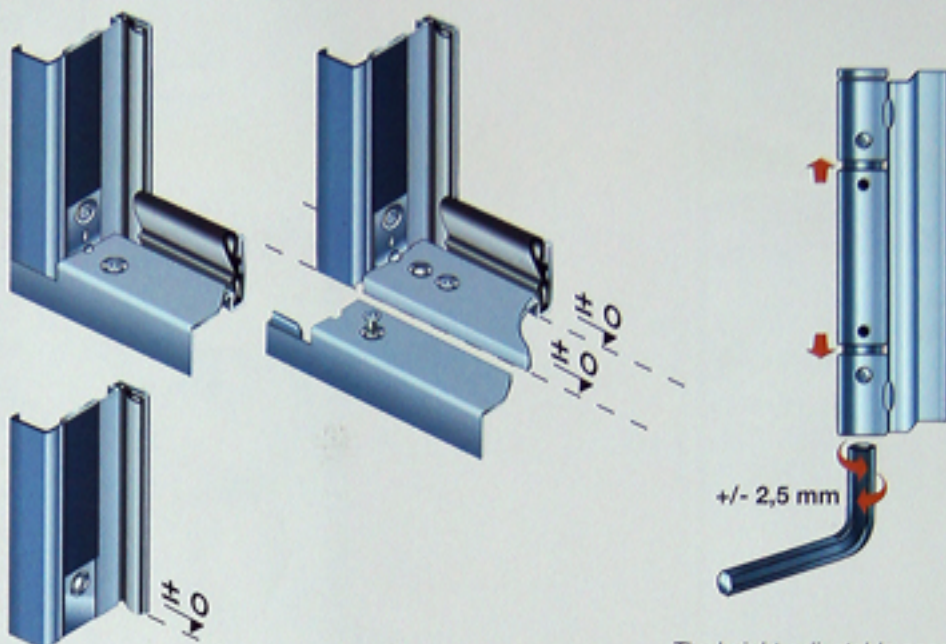
Highly Fire-Retardant, left-hand or right-hand hinging

DIN EN 1634



Features and Fitting Options

Simple and easy to fit



Simple dismantling of the threshold rail and the floor profile thanks to screwed connections.

The height-adjustable construction hinge makes subsequent fine adjustment of the door leaf possible.

Standard sizes and size range

Standard sizes (ordering size)

Ordering size (ordering size)	Clear structural opening	Clear passage
Width x Height	Width x Height	Width x Height
750 x 2000	760 x 2005	678 x 1964
750 x 2125	760 x 2130	678 x 2089
875 x 2000	885 x 2005	803 x 1964
875 x 2125	885 x 2130	803 x 2089
1000 x 2000	1010 x 2005	928 x 1964
1000 x 2125	1010 x 2130	928 x 2089
1125 x 2125	1135 x 2130	1053 x 2089
1250 x 2125	1260 x 2130	1178 x 2089

Special size ranges (ordering size)

Width 750 - 1250 mm
Height 1700 - 2136 mm

Standard sizes (clear passage)

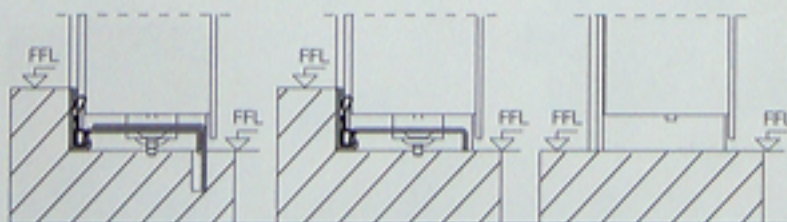
Clear passage (ordering size)	Clear structural opening	Ordering size
Width x Height	Width x Height	Width x Height
800 x 2000	882 x 2041	872 x 2036
800 x 2025	882 x 2066	872 x 2061
800 x 2100	882 x 2141	872 x 2136
900 x 2000	982 x 2041	972 x 2036
900 x 2025	982 x 2066	972 x 2061
900 x 2100	982 x 2141	972 x 2036
1000 x 2000	1082 x 2041	1072 x 2036
1000 x 2025	1082 x 2066	1072 x 2061
1000 x 2100	1082 x 2141	1072 x 2136
1100 x 2000	1182 x 2041	1172 x 2036
1100 x 2025	1182 x 2066	1172 x 2061
1100 x 2100	1182 x 2141	1172 x 2136

Special size ranges (clear passage)

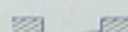
Width 678 - 1178 mm
Height 1664 - 2100 mm



* With an opening angle of 90° the clear passage width is reduced by 40 mm (not including handles).



LH hinged



RH hinged